

# LRX

MOTION PICTURE LIGHTING

## LRX FRESNEL DAILY CHECKLIST

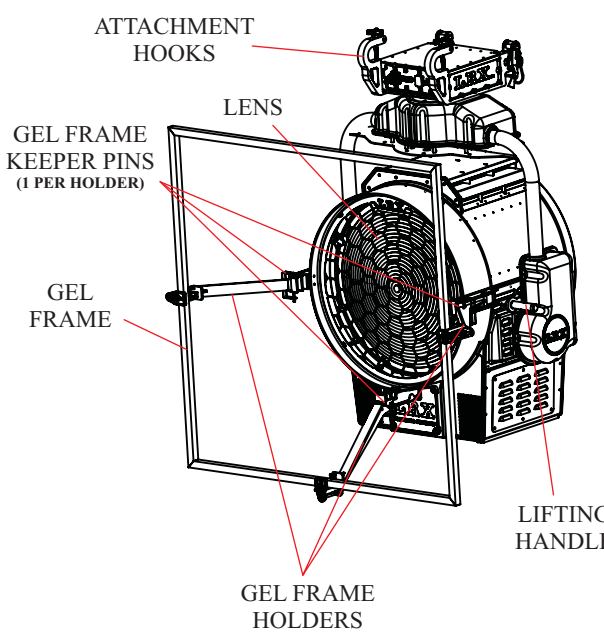
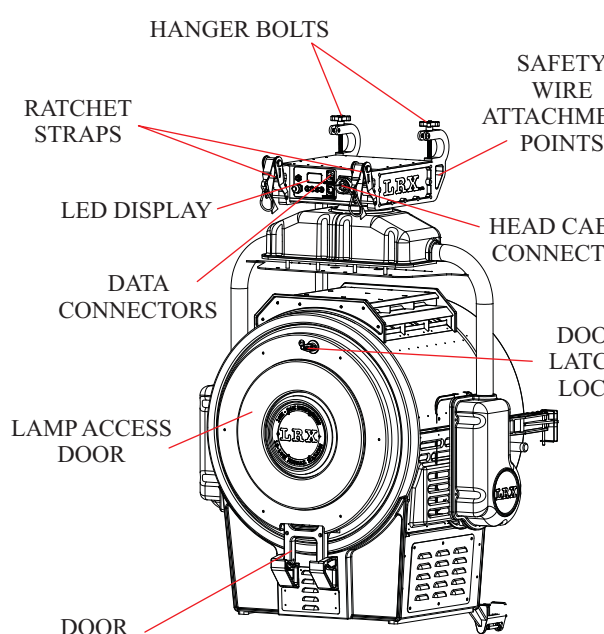
CUSTOMER: \_\_\_\_\_

DATE: \_\_\_\_\_

LOCATION: \_\_\_\_\_

FIXTURE SERIAL #: \_\_\_\_\_

Read and understand LRX Fresnel Manual before proceeding with daily checklist and/or operation of any LRX fixture. Manual available in fixture transport case or online at [www.lrx-lighting.com](http://www.lrx-lighting.com).

#	HEAD STRUCTURAL INSPECTION	GOOD / FAIL	REFERENCE IMAGES
1.	Inspect fixture attachment hooks & head structure for damage, cracks or loose bolts.		<p><b>FIG. 1</b></p>  <p>ATTACHMENT HOOKS</p> <p>LENS</p> <p>GEL FRAME KEEPER PINS (1 PER HOLDER)</p> <p>GEL FRAME</p> <p>LIFTING HANDLE</p> <p>GEL FRAME HOLDERS</p>
2.	Inspect ratchet straps. There must be a minimum of two wraps around each ratchet drum. Ensure the straps capture truss & strap clips are correctly placed and latched.		
3.	Ensure hanger keeper bolts are installed completely.		
4.	Inspect overall condition of fixture / structure.		
5.	All covers are installed & in good condition.		
6.	Inspect lamp access door and door lock for proper operation.		
7.	Inspect gel frame receivers for damage, cracks or loose bolts.		
8.	Inspect gel frame holders and mounting hardware.		
9.	Inspect reflector.		
10.	Inspect lamp socket & contacts.		
11.	Inspect lens, lens grill & mounting hardware.		
12.	Inspect head cable input connector & contacts.		
13.	Inspect data connectors condition and pins & housing.		
14.	Inspect condition of U ground plug, wire & strain relief.		
15.	Provide safety cables as required.		
16.	No components have been modified outside of manufactures specifications.		
#	TRUSS CONNECTION POINT	GOOD / FAIL	
17.	Inspect truss for damage, cracks, dents, distortion.		
18.	Inspect truss mounting plates for damage, cracks, distortion.		
19.	Inspect all fasteners & hardware for damage and ensure all fasteners are secure.		
20.	Inspect truss supporting structure & capacity.		
#	BALLAST	GOOD / FAIL	<p><b>FIG. 2</b></p>  <p>HANGER BOLTS</p> <p>RATCHET STRAPS</p> <p>LED DISPLAY</p> <p>DATA CONNECTORS</p> <p>HEAD CABLE CONNECTOR</p> <p>DOOR LATCH/ LOCK</p> <p>LAMP ACCESS DOOR</p> <p>DOOR HINGE</p> <p>SAFETY WIRE ATTACHMENT POINTS</p>
21.	Inspect case for damage.		
22.	Inspect input power cables, connectors & contacts.		
23.	Inspect head cable output connector & contacts.		
24.	Ensure ballast has rain cover & adequate ventilation.		
#	CABLES	GOOD / FAIL	
25.	Inspect head cable, connectors & contacts for damage.		
26.	Inspect data cable, connectors & contacts for damage.		
#	LAMP	GOOD / FAIL	
27.	Inspect lamp for damage.		
28.	Inspect lamp arc envelop for irregularities or deformities.		
29.	Inspect lamp contact pins for signs of overheating or arcing.		
#	HARD FILTERS	GOOD / FAIL	
30.	Inspect glass for cracks or chips.		
31.	Check wire mesh on both sides of filter and confirm they are in good condition.		
32.	Ensure safety wires are used to secure all filters.		
#	POWER UP CHECKS	GOOD / FAIL	
33.	Ensure all power & data cables are correctly connected to fixture.		
34.	Ensure proper electrical power is supplied.		
35.	Ensure all power & data cables have a secure strain relief.		
36.	Ensure Hanger LED display & keypad operating properly.		
37.	Inspect hand controller for damage & proper function.		
38.	Test tilt, pan & flood / spot functions.		
Notes: _____			
USE BACK OF SHEET IF MORE NOTES ARE REQUIRED			

Confirm the combined weight of all accessories are within the allowable weight restrictions of the aerial lifting device or supporting structure.

INSPECTED BY: \_\_\_\_\_ SIGNATURE: \_\_\_\_\_

IF THE FIXTURE FAILS ANY PART OF THIS INSPECTION, REMOVE POWER, LOCK OUT AND REPORT TO YOUR SUPERVISOR IMMEDIATELY. DO NOT ATTEMPT TO MAKE REPAIRS. ALL REPAIRS TO LRX LIGHTING FIXTURES ARE TO BE PERFORMED BY AN LRX AUTHORIZED DEALER ONLY.