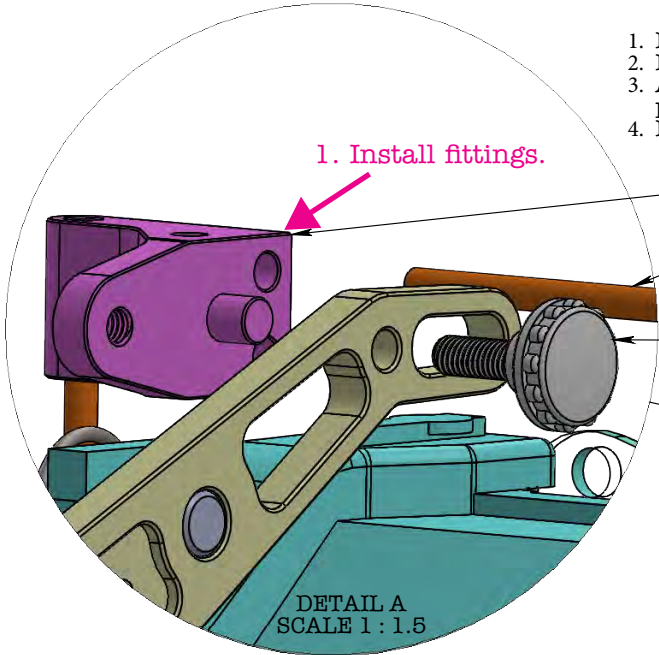


# LRX VULTURE - RAIN COVER INSTALLATION GUIDE

## INSTALL COVER FITTING FRAME FIRST

1. Install the four aluminum rain cover fittings using the supplied thumb screws
2. Install the vertical fiberglass rods into rain cover fittings, flex as required to install.
3. Assemble two short fiberglass rods then feed thru the upper and lower horizontal pockets in rain cover, flex as required to install into rain cover fittings.
4. Install rain cover .

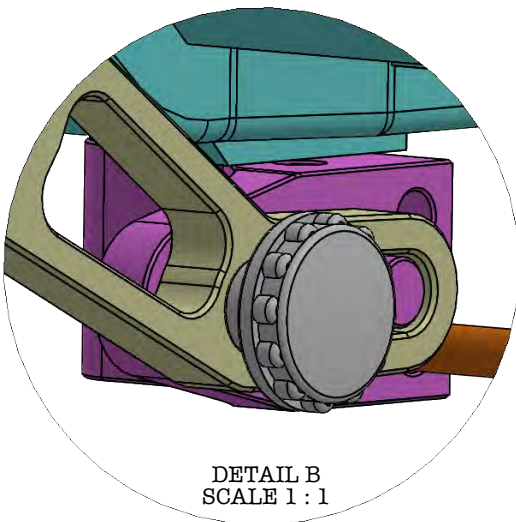
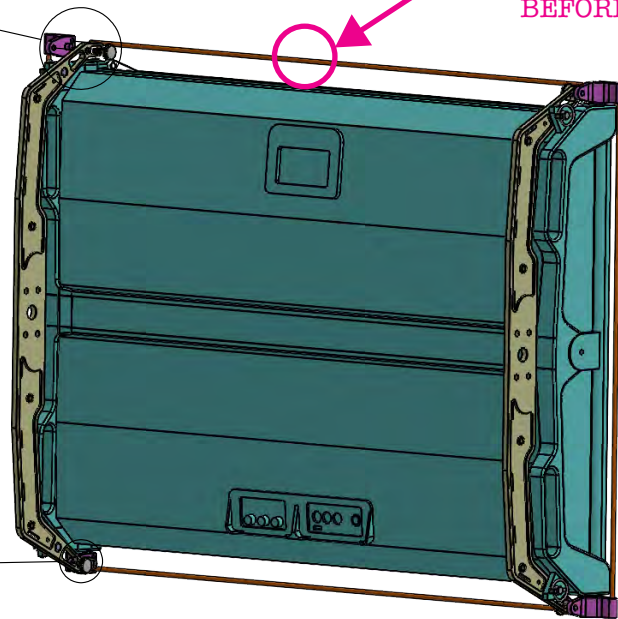


Rain Cover Fitting X 4

Fibreglass Rod X 2 Long (Vertical) & 4 Short (Horizontal)

Thumb Screw

3. Assemble rods & feed through rain cover pockets BEFORE installing



4. Install Rain Cover



**LRX**  
**VULTURE**